

TECHNICAL DATA SHEET

CERAMIC BLADE NO. 60099C

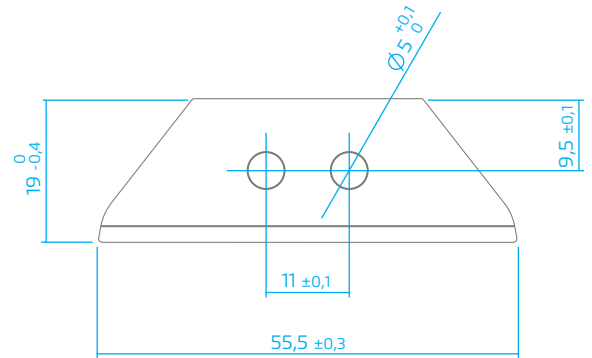


CERAMIC BLADE NO 60099C is a very high-quality blade made of ceramic. It remains very sharp for a very long time and has two cutting edges that can be used one after the other for an even longer service life. The deep edge makes cutting easier and the rounded tips increase user safety. The blade is 55.5 mm long, 19 mm wide and 0.65 mm thick.

CERAMIC BLADE NO. 60099C is available under order number 1760099.25 as 2 on a self-service card.

PRODUCT DETAILS

Order No.	NO. 1760099.25
Blade size (L x W)	55.5 x 19 mm
Material thickness	0.65 mm
Weight Blade	2.6 g
Basic material	Ceramic
Refinement/ Version	stainless and acid resistant
Ground	deep-edged, 2-sided ground-edge
Blade facets	Double bevel edge-ground
Safety feature	rounded blade tips
Blade characteristics	2-cutting edge blade





PACKAGING DETAILS

Packaging unit (PU)	2 on self-service card
Size PU	84.5 x 5 x 160.0 mm
Weight PU	22.0 g
EAN Code PU	4002632801730
Customs tariff number	69149000



PRODUCT FEATURES

Technical features

 Rounded-tip trapezoid blade	 2-sided ground-edge	 deep-edged	 2-cutting edge blade
 Ceramic	 Non-magnetic	 Non-conductive	 Chemically inert
 Non-oiled	 Non-rusting		

The blade can be used in the following MARTOR knives: SECUPRO MAXISAFE, SECUPRO MEGASAFE, SECUNORM 525.

SAFETY ADVICE



CAUTION: The blade is sharp and can result in serious and deep cuts. Therefore, never reach into the blade!

Only use cutting tools that are in perfect condition with sharp, clean and undamaged MARTOR blades. Also make sure that the knife's operation is not impaired by the material to be cut or by dirt or particle deposits around the blade.

1. Replacement of spare parts: Replace any blades that become dull at the right time! Dispose of old blades in a proper fashion. They should not be placed in a waste paper bin, as this poses a considerable danger of injuries.

2. Non-use of the knife: Always secure the blade in such a way (depending on product type) that injuries due to cuts are excluded. Store the knife in a secure place.

3. Care instructions: To guarantee a long service life, always keep the knife clean and do not expose it to unnecessary soiling and humidity.

CAUTION: No liability will be assumed for consequential losses. Subject to technical changes and errors! This knife does not belong in the hands of children!

CONTACT

MARTOR KG | Lindgesfeld 28 | 42653 Solingen | Germany
T +49 212 73870-0 | info@martor.de | www.martor.com