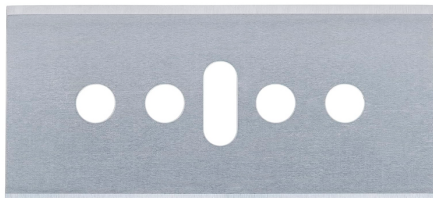


TECHNICAL DATA SHEET

INDUSTRIAL BLADE NO. 45

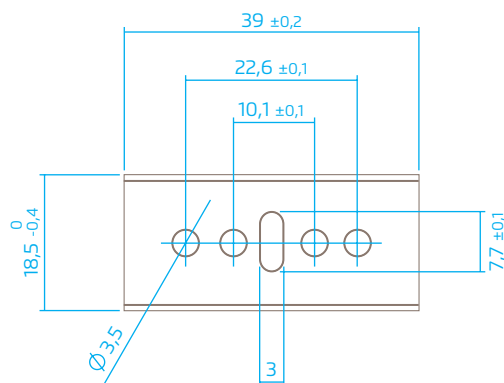


INDUSTRIAL BLADE NO. 45 from MARTOR is a high-quality blade made of steel. It is very sharp and has four cutting edges that can be used one after the other for an extra long service life. The blade is 39.0 mm long, 18.5 mm wide and 0.30 mm thick.

INDUSTRIAL BLADE NO. 45 is available under order number 45.60 in a transparent pack of 10.

PRODUCT DETAILS

Order No.	NO. 45.60
Blade size (L x W)	39 x 18.5 mm
Material thickness	0.30 mm
Weight Blade	1.4 g
Basic material	Steel
Ground	2-sided ground-edge
Blade facets	Single bevel edge-ground
Blade characteristics	4-cutting edge blade



PACKAGING DETAILS

Packaging unit (PU)	10 in transparent pack
Size PU	45 x 22 x 9 mm
Weight PU	16.6 g
EAN Code PU	4002632906107
Quantity in outer pack	10 transparent packs
Size outer pack	88 x 23 x 57 mm
Weight outer pack	180 g
EAN Code outer pack	4002632957420
Customs tariff number	82119400



PRODUCT FEATURES

Technical features



2-sided ground-edge



4-cutting edge blade

REMOVAL



MOUNTABLE IN

The blade can be used in the following MARTOR knives: SECUMAX EASYSAFE, SECUNORM 175, SECUNORM HANDY.

SAFETY ADVICE



CAUTION: The blade is sharp and can result in serious and deep cuts. Therefore, never reach into the blade!

Only use cutting tools that are in perfect condition with sharp, clean and undamaged MARTOR blades. Also make sure that the knife's operation is not impaired by the material to be cut or by dirt or particle deposits around the blade.

1. Replacement of spare parts: Replace any blades that become dull at the right time! Dispose of old blades in a proper fashion. They should not be placed in a waste paper bin, as this poses a considerable danger of injuries.

2. Non-use of the knife: Always secure the blade in such a way (depending on product type) that injuries due to cuts are excluded. Store the knife in a secure place.

3. Care instructions: To guarantee a long service life, always keep the knife clean and do not expose it to unnecessary soiling and humidity.

CAUTION: No liability will be assumed for consequential losses. Subject to technical changes and errors! This knife does not belong in the hands of children!

CONTACT

MARTOR KG | Lindgesfeld 28 | 42653 Solingen | Germany
T +49 212 73870-0 | info@martor.de | www.martor.com