

## TECHNICAL DATA SHEET

### TRAPEZOID BLADE NO. 160099

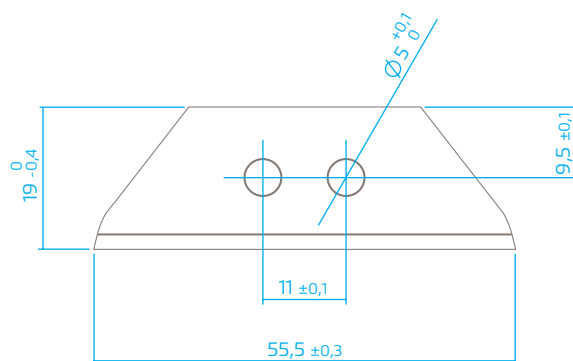


TRAPEZOID BLADE NO. 160099 from MARTOR is a high-quality blade made of stainless steel. It is very sharp and has two cutting edges that can be used one after the other for a long service life. The blade is 55.5 mm long, 19.0 mm wide and 0.63 mm thick. The deep edge makes cutting easier and the rounded tips increase user safety. The oil used for the blade is food safe.

TRAPEZOID BLADE NO. 160099 is available under order number 160099.70 in a safety dispenser of 10.

#### PRODUCT DETAILS

|                       |                                 |
|-----------------------|---------------------------------|
| Order No.             | NO. 160099.70                   |
| Blade size (L x W)    | 55.5 x 19 mm                    |
| Material thickness    | 0.63 mm                         |
| Weight Blade          | 3.7 g                           |
| Basic material        | Stainless steel                 |
| Refinement/ Version   | stainless steel                 |
| Ground                | deep-edged, 2-sided ground-edge |
| Blade facets          | Double bevel edge-ground        |
| Safety feature        | rounded blade tips              |
| Blade characteristics | 2-cutting edge blade            |



#### PACKAGING DETAILS

|                        |                        |
|------------------------|------------------------|
| Packaging unit (PU)    | 10 in safety dispenser |
| Size PU                | 64.4 x 26 x 16 mm      |
| Weight PU              | 47.0 g                 |
| EAN Code PU            | 4002632803666          |
| Quantity in outer pack | 10 safety-dispensers   |
| Size outer pack        | 166 x 28 x 67 mm       |
| Weight outer pack      | 480 g                  |
| EAN Code outer pack    | 4002632853661          |
| Customs tariff number  | 82119400               |



#### PRODUCT FEATURES

##### Technical features



Stainless



Rounded-tip trapezoid blade



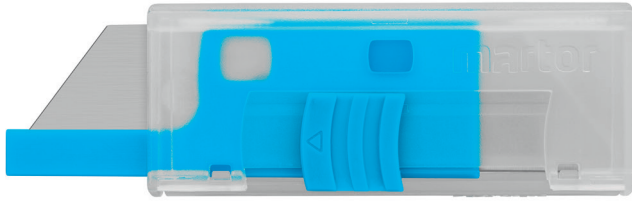
2-sided ground-edge



deep-edged



2-cutting edge blade



## MOUNTABLE IN

---

The blade can be used in the following MARTOR knives: SECUPRO 625, SECUPRO MEGASAFE, SECUPRO MAXISAFE, SECUNORM 525, SECUNORM PROFI25 MDP.

## SAFETY ADVICE

---



**CAUTION: The blade is sharp and can result in serious and deep cuts. Therefore, never reach into the blade!**

Only use cutting tools that are in perfect condition with sharp, clean and undamaged MARTOR blades. Also make sure that the knife's operation is not impaired by the material to be cut or by dirt or particle deposits around the blade.

**1. Replacement of spare parts:** Replace any blades that become dull at the right time! Dispose of old blades in a proper fashion. They should not be placed in a waste paper bin, as this poses a considerable danger of injuries.

**2. Non-use of the knife:** Always secure the blade in such a way (depending on product type) that injuries due to cuts are excluded. Store the knife in a secure place.

**3. Care instructions:** To guarantee a long service life, always keep the knife clean and do not expose it to unnecessary soiling and humidity.

**CAUTION: No liability will be assumed for consequential losses. Subject to technical changes and errors! This knife does not belong in the hands of children!**

## CONTACT

---

MARTOR KG | Lindgesfeld 28 | 42653 Solingen | Germany  
T +49 212 73870-0 | info@martor.de | www.martor.com